

ENCODER

Length Encoder

Description

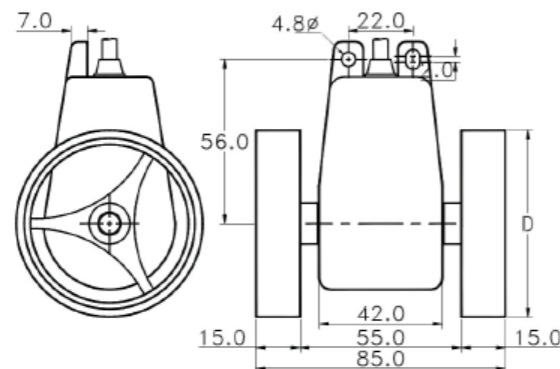
High Response Frequency : 10K Hz  
 High Speed of Revolution : 6K RPM  
 Voltage & Current Output With NPN + PNP Output  
 High Reliability with Anti-Noise Circuit  
 Multi-Measuring Unit / Pulse  
 1.0mm, 0.01m, 0.1m, 1m, 0.001yd, 0.01yd, 0.1yd, 1yd  
 Model of two Phase Output :  
 WE-M2T? WE-M3T? WE-M4T? WE-Y2T? WE-Y3T? WE-Y4T



Specifications

Type	Meter Wheel				Yard wheel		
Model	WE-M1	WE-M2	WE-M3	WE-M4T	WE-Y1	WE-Y2	WE-Y3
Unit/Pulse	1m	0.1m	0.01m	1.0mm	1yd	0.1yd	0.01yd
PPR	0.2PPR	2PPR	20PPR	200PPR	0.2PPR	2PPR	20PPR
Output Phase	Single or Two phase are Available						
Operating Voltage	10 ~30 VDC						
Current consumption	30mA max.						
Output Method	NPN + PNP						
Output Current	150mA max.						
Residual Voltage	0.1V max						
Leakage Current	0.1mA max.						
Rprotection Method	Polarity Reserved & Over Load Protection						
Connection Method	2m Cable						
Response Frequency	2K HZ		10K HZ		2K HZ		
RPM max.	6K RPM		3K RPM		6K RPM		
Insulation Resistance	Over 50MΩ / 500 VDC						
Dielectric Strength	Over 2.5 KV						
Circumstance	-20°C ~+60°C ; 35°C ~85°C						
Protection Class	IP- 65						
Weight	Appr.525g				Appr.510g		

Dimensions

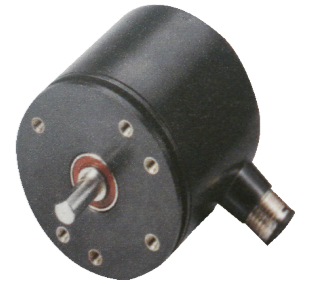


Meter Wheel : D = 63.69 mm  
 Yard Wheel : D = 58.24 mm

Unit : mm

ENCODER

Magnetic Incremental Rotary Encoder



Specifications

Electrical specification		
Output model	Push-Pull	Line Drive
Operating voltage	5 ~30 VDC	5VDC ± 10%
Output method	NPN + PNP	Line Driver IC
Response frequency	30K Hz min...	
Current consumption	40mA max.	
Ripple of power	10% peak	
Output current	100mA max.	20mA max.
Protection circuit	Short circuit & palarity reversed	Polarity reversed
Voltage drop	0.6V max.	
Residual voltage	0.1V max.	
Leakage current	0.1mA max.	
Noise resistance	2kv / 1μs	
Dielectric strength	2.5kv / 1 minute min.	
Insulation strength	100MΩ / 500VDC	
Approval	CE /RoHS	
Mechanical Data		
Specification	Data	
String torque	0.098kg-m	
Shaft moment of inertial	1 x 10-6 kg-m12	
Shaft loading	Radial < 300 kg; Axial <200g	
Rotational speed max.	6000 RPM	
Housing material	Intensive PPS	
Shaft material	SUS- 316	
Environment Data		
Specification	Data	
Operating circumstance	-250°C ~+ 70°C ; 85% RH max.	
Vibration resistance	10~55Hz / 1.5mm ; 2Hr / X.Y.Z. direction each	
Shock resistance	490m/s 2 with 11 ms in X.Y.Z. direction 3 time each	
Protection class	IP-64	